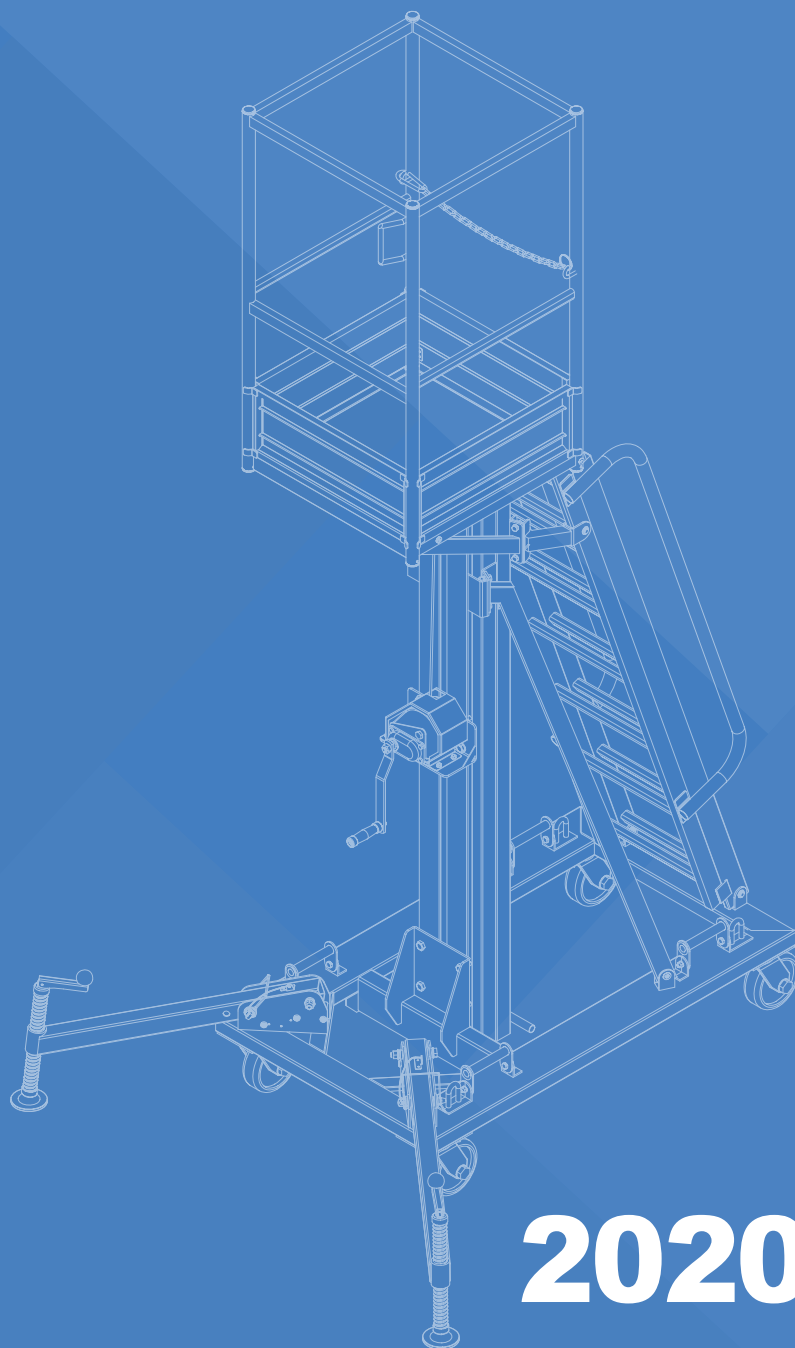


Tele-sMart

Manual Telescopic Platform

手搖式升降台



2020

Tele-sMart

Manual Telescopic Platform
手搖式升降台



CE EN 280:2013
專利 ZL 2018 1 0003369.6

Tele-sMart

Manual Telescopic Platform 手搖式升降台

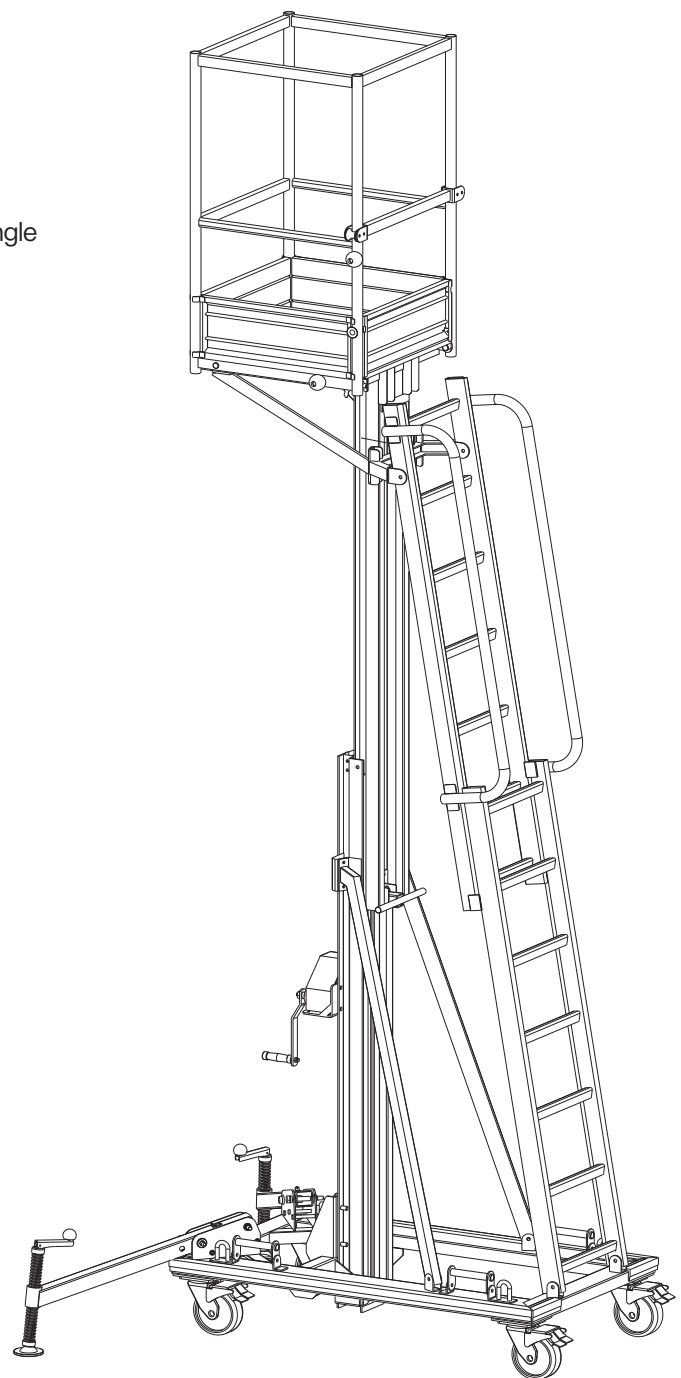
CE EN 280:2013

專利 ZL 2018 1 0003369.6

- Maximum working height of 5.2m
- Platform capacity of 120kg, for one person with tools
- No electrics, batteries, hydraulics
- No pumps, motors or any loose components
- Require minimum maintenance
- Compact dimensions, easily goes through a standard single doorway
- Fits into passenger lifts
- Platform simply elevated to desired height by a manual winch with built-in brake
- Fail safe latches automatically lock the platform into position
- Latches at every 255mm to maximum height 3.2m
- Set up by one person in just a minute
- Fitted with swivel castors with brakes.
- Designed for INDOOR use only

Specification	規格
Brand 品牌	Tele-sMart
Model 型號	Tele-32
Max.Working Height 最高工作高度	5.2m(17")
Max.Platform Height 最高平台高度	3.2m(10'6")
Platform Size(Outside) 平台大小 (外圍)	0.59mX0.59m (23"X23")
Safe Working Load 安全負載 (S.W.L)	120kg
Self Weight 自重	120kg

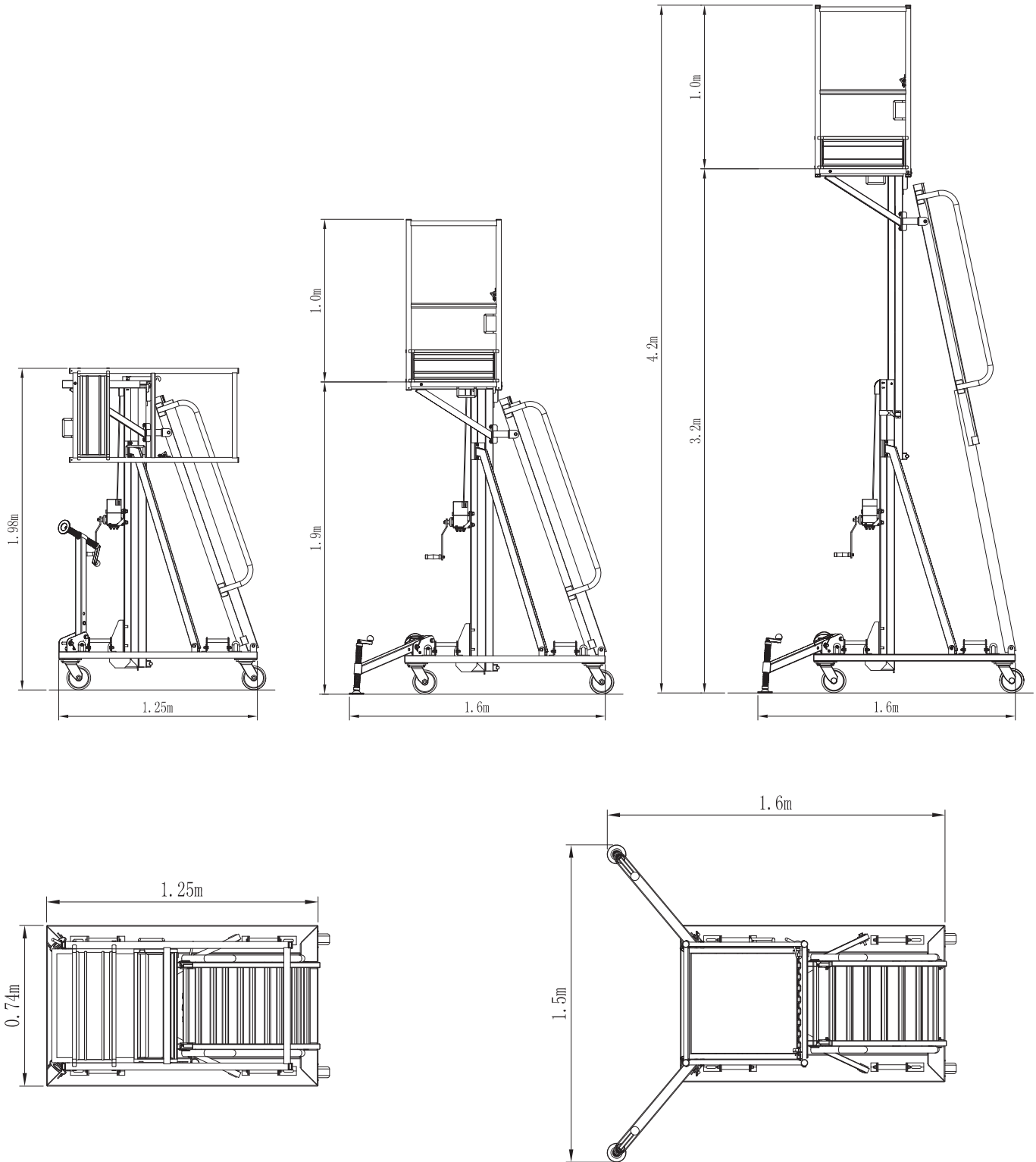
* Max.Working Height=Max.Platform Height+2metres



Tele-sMart

Manual Telescopic Platform

手搖式升降台設計圖



Tele-sMart

Safety Instruction Of Manual Telescopic Platform 安全操作指引

- This platform should be used in accordance with the instructions given in the manufacturer's operation manual. Consult the manufacturer when necessary
應根據製造商手冊指引使用此升降台，如有疑問，請向製造商查詢
- This platform should be regularly inspected, tested and properly maintained by a competent person, in order to ensure it is in safe working condition
此升降台必須由合資格人仕作定期檢查、測試及保養、以確保操作安全
- This platform must be operated by trained, competent and authorized personnel over 18 years of age
此升降台必須由受過訓練、合資格、被認可及年滿18歲或以上的人仕操作
- Should something break, loosen or malfunction, stop work & isolate / tag / report it
如發現機器上有任何損壞、鬆脫或故障，應立即停止工作，並隔離 / 標記 / 報告損壞
- Check the clearances overhead, note any obstructions and electric power lines
留意高空障礙物或電纜，保持適當距離
- Safe Working Load, SWL: 120 kg (for ONE person with hand tools)
安全負載 S.W.L.: 120 kg (只供一人使用)
- Operator must come down before platform relocation
移動升降台時不可載人或貨物
- Apply all brakes on castors when use
使用時必須按下所有車輪腳制
- Ensure the stabilizers are applied
必須使用支撐腳並上鎖
- Only use on firm and level ground
只可用於平實地面
- Design for INDOOR use only
只供室內使用

Before Use 使用前

- Check all components are functional before use.
檢查所有部件運作正常
- Make sure the ground is firm and level
確保使用位置地面平實

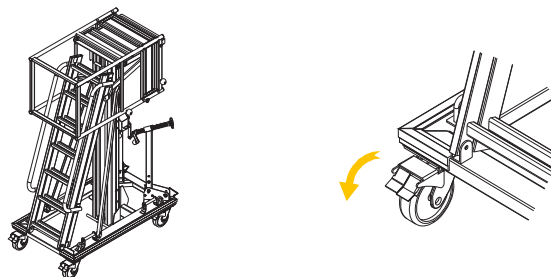
Tele-sMart

Instruction Of Manual Telescopic Platform

操作指引

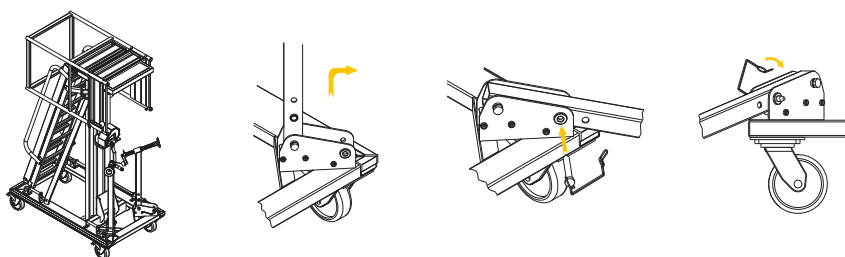
1

Apply all brakes on castors right after positioning
到達使用位置後先鎖下所有車輪腳制



2

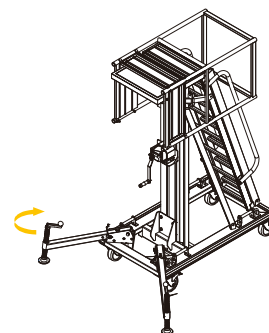
Lower the stabilizers & lock it
放下支撐腳並上鎖



3

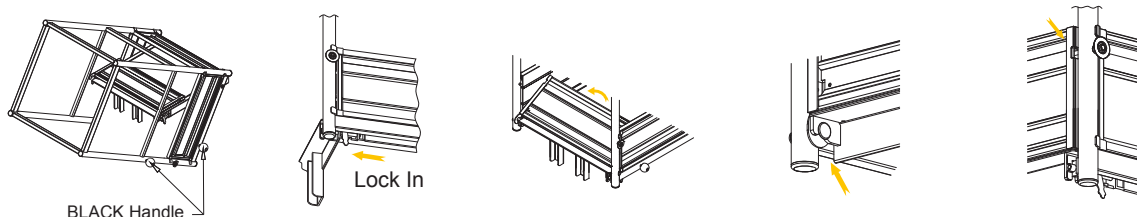
Adjust the stabilizers until all foot pads are in contact with the ground firmly
調校支撐腳至與地面緊貼

Check level before lift up
升高前檢查水平



4

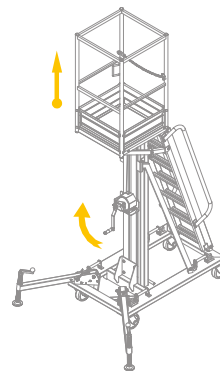
Turn the platform to upright position & lock it
抓住護欄黑色球形把手，翻起工作台並上鎖



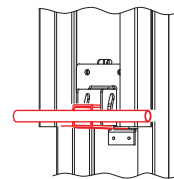
Tele-sMart

Instruction Of Manual Telescopic Platform 操作指引

- 5** Adjust the platform to the required height by the manual winch, without any person or load on the platform
絞動手搖絞車至適當工作高度，其間工作台上不可載人或貨物

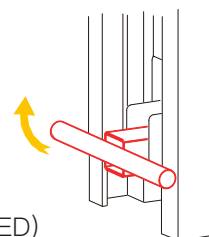


- 6** Make sure the safety latch has automatically locked the platform into position
確定工作台已被自動鎖定於指定高度



- 7** Climb up & down to the platform with care do not overload (S.W.L.120kg)
上落時要小心，切勿超載(承載：120公斤)

- 8** Lift up the safety latch(RED) at the back when lowering
平台下降時須用手向上提起位於絞盤後面的(紅色)安全裝置



Safety latch(RED)
(紅色)安全裝置



开平天盛卓越机械设备有限公司

Kai Ping Tian Sheng Zhuo Yue Machinery And Equipment Co. Ltd.

ADD: Unit3, 64 Ruliang Road, Baihe Town, Kaiping,
Jiangmen City, Guangdong Province

TEL: 0750-2518688

FAX: 0750- 2518738

WEB: www.tszy-scaffold.com

Email: mcn@kptszy.com

地址：广东省江门市开平市百合镇儒良路64号3座

电话：0750-2518688

传真：0750-2518738

网址：www.tszy-scaffold.com

邮箱：mcn@kptszy.com